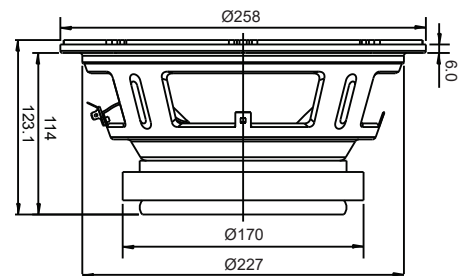
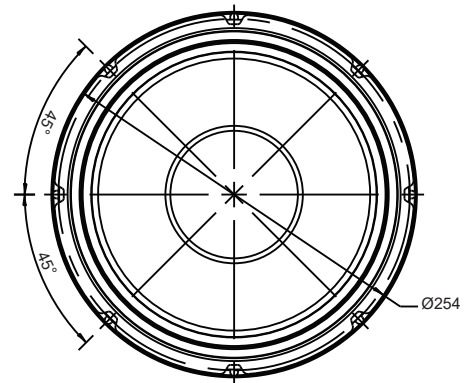


10" ARRAY 2560 M

Fabulous Series By ACR | 10 Inch - Woofer

ACR[®]
www.acrspeaker.com



Fitur :

- Sistem magnet ferrite high flux sampai dengan 12.300 gauss.
- Voice coil menggunakan former berbahan dasar non-conductive fiberglass untuk meminimalkan damping.
- Penambahan lapisan cemedine pada voice coil sehingga lebih tahan panas.
- Desain voice coil berventilasi untuk sirkulasi udara yang bagus dan mengurangi tekanan udara pada speaker.
- Lapisan anti air pada conepaper.

Spesifikasi

Diameter Speaker (inch/mm)	10 inch / 254 mm
Impedansi (Ω)	8 Ω
Nominal power handling (Watt) ¹	150 Watt
Program power (Watt) ²	300 Watt
Lebar daerah frekuensi (Hz)	62 Hz - 4.2 KHz
SPL (2.83 V / 1 m) (dB)	98 dB
Diameter cone efektif (mm)	216 mm
Medan magnet (T)	1.23 T
Berat magnet (Kg/Oz)	1.8 kg / 63.3 Oz
Voice coil diameter (mm)	60.55 mm
Voice coil material	Till

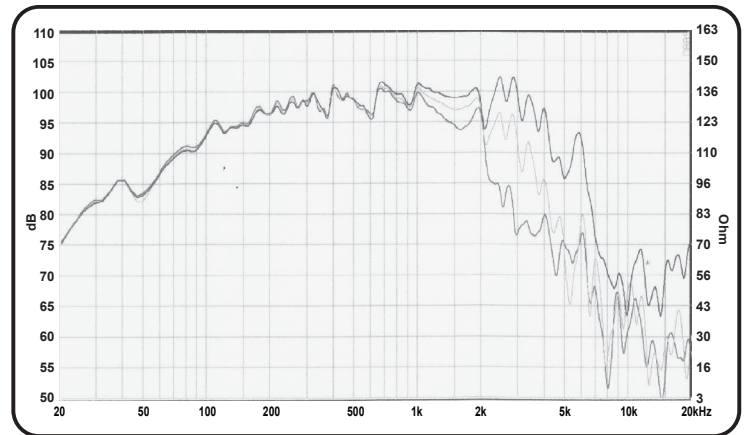
(¹) AES standard, test mode with continuous pink noise signal (6 dB crest factor; 2 hours) within the Fo to 10Fo power calculated on rated nominal impedance. Loudspeaker in free air

(²) Power on continuous program is defined as 3dB greater than nominal power handling.

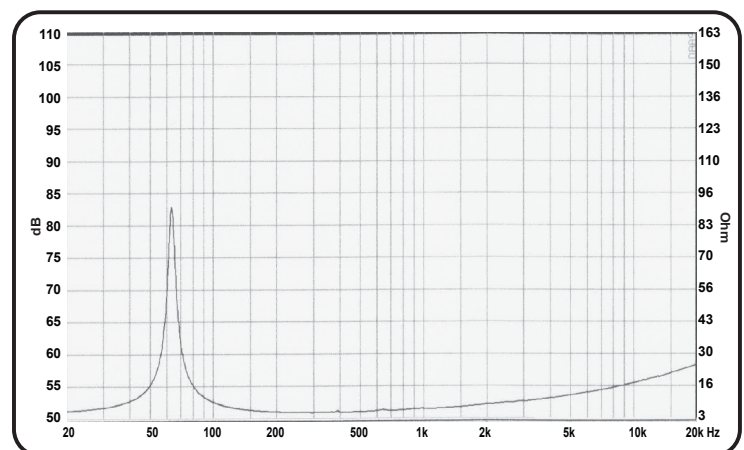
Parameter "Thiele-Small"

Frekuensi Resonansi / Fs (Hz)	60.8 Hz
DCR (Ω)	5.2 Ω
Qts	0.29
Qes	0.30
Qms	11.81
Mms (g)	37.3 g
Cms (mm/N)	0.18 mm/N
BL Product (Tm)	15.7 Tm
Vas (liters)	34.6 liters
No (%)	2.50 %
Sd (cm ²)	366.4 cm ²
Xmax (mm)	5.4 mm

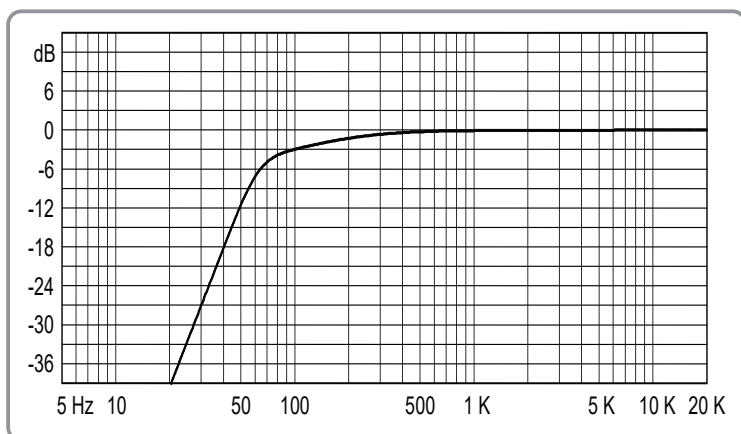
Respon Frekuensi



Impedansi

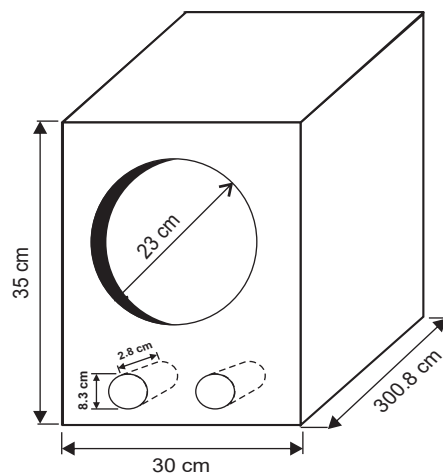


Respon Bass



Referensi Box Speaker

Dimensi luar 31.58 Lt pada Fb 62 Hz
Tebal material 12 mm



Showroom

Surabaya : Jl. Margomulyo No. 5, Tandes - Surabaya
Telp. +62-81 231833504

Jakarta : Ruko Glodok Plaza Blok F no. 97
Jl. Pinangsia Raya, Mangga Besar - Jakarta Barat, Telp. +62-21 6493139