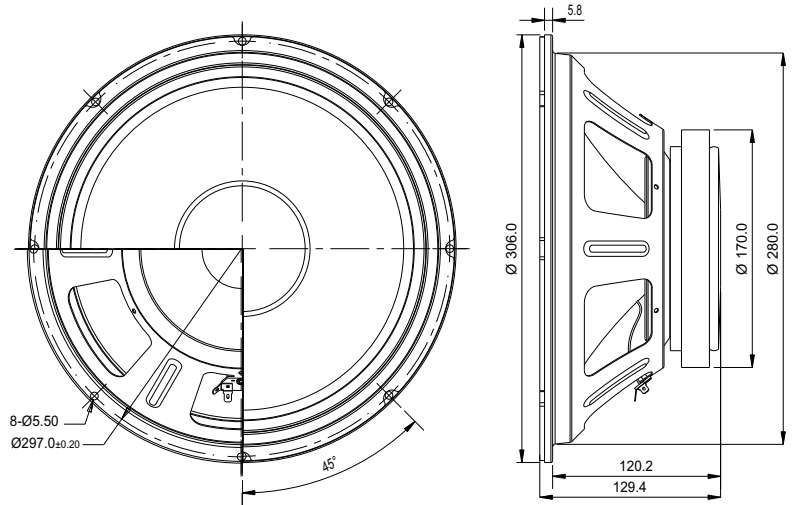


12" PA-12880-MK II EXCEL

Excellent Series By ACR | 12 Inch - Woofer

ACR[®]
www.acrspeaker.com



Fitur

1. Daya Magnet Optimal

- Daya motor *magnet speaker* yang optimal karena didesain dengan menggunakan teknologi *FEA (Finite Element Analysis)*

2. Weatherproof

- Conepaper yang kokoh dilapisi dengan *black coating* menjadikan tahan terhadap segala cuaca

Spesifikasi

Diameter Speaker (inch/mm)	12 inch / 305 mm
Impedansi (Ω)	8 Ω
Nominal power handling (Watt) ¹	300 Watt
Program power (Watt) ²	600 Watt
Lebar daerah frekuensi (Hz)	40 Hz - 6100 Hz
SPL (2.83 V / 1 m) (dB)	98 dB
Diameter cone efektif (mm)	263 mm
Medan magnet (T)	1.24 T
Berat magnet (Kg/Oz)	1.77 kg /61.95 Oz
Voice coil diameter (mm)	60.55 mm
Voice coil material	Kapton

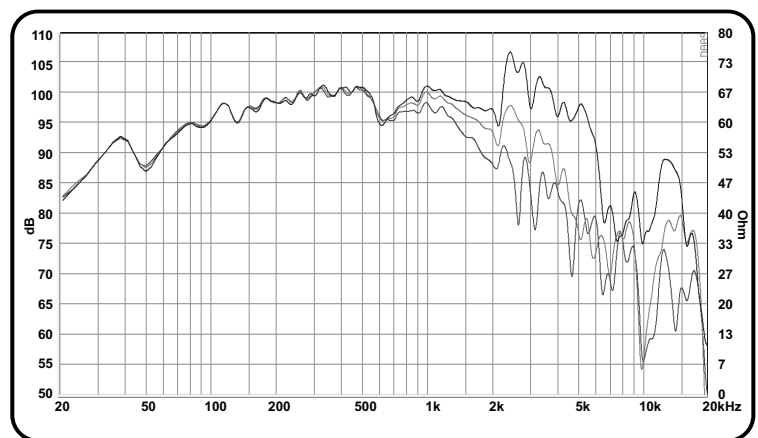
- (¹) AES standard, test mode with continuous pink noise signal (6 dB crest factor; 2 hours) within the F_o to $10F_o$ power calculated on rated nominal impedance. Loudspeaker in free air

- (²) Power on continuous program is defined as 3dB greater than nominal power handling.

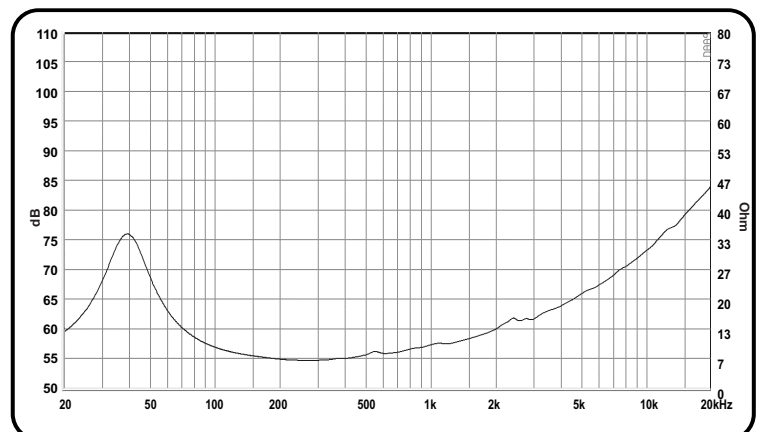
Parameter "Thiele-Small"

Frekuensi Resonansi / F_s (Hz)	40 Hz
DCR (Ω)	5.2 Ω
Q_{ts}	0.30
Q_{es}	0.35
Q_{ms}	2.01
M_{ms} (g)	45.6 g
C_{ms} (mm/N)	0.37 mm/N
BL Product (Tm)	12.8 Tm
Vas (liters)	150.8 liters
No (%)	2.45 %
S_d (cm ²)	543.3 cm ²
X_{max} (mm)	6.6 mm

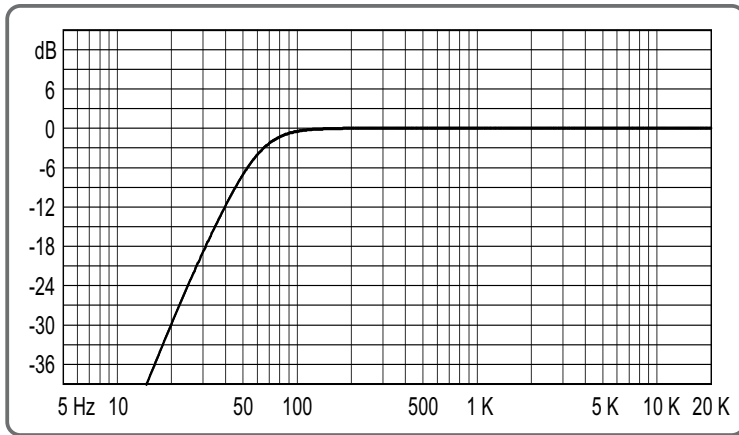
Respon Frekuensi



Impedansi

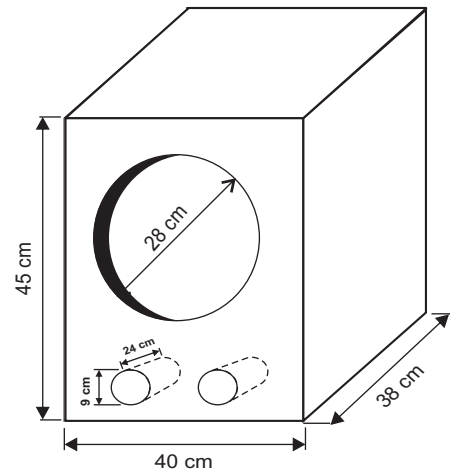


Respon Bass



Referensi Box Speaker

Dimensi luar 68.4 Lt pada Fb 49 Hz
Tebal material 15 mm



Showroom

Surabaya : Jl. Margomulyo No. 5, Tandes - Surabaya.
Telp. +62-81 231833504

Jakarta : Ruko Glodok Plaza Blok F no. 97 RT 06/RW 06 Mangga Besar - Jakarta Barat
Telp. : +62-21 30525443, 6493139, Fax. : +62-21 6493171